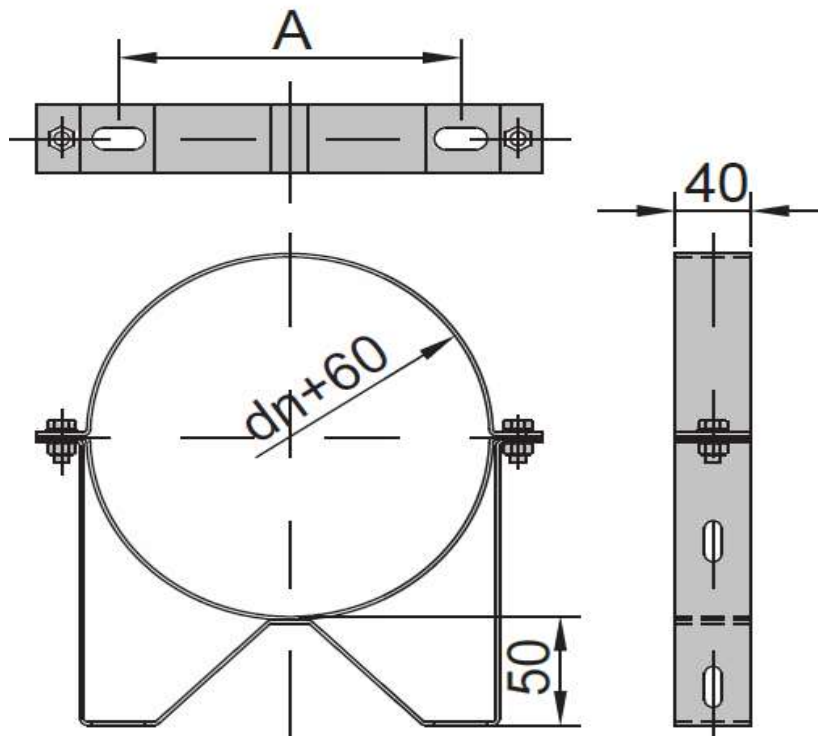


# WANDHALTER STATISCH 50MM

## WHT S50



	TECHNISCHE DATEN			
	A	B	C	
Ø80	110	---	---	---
Ø100	130	---	---	---
Ø113	143	---	---	---
Ø120	150	---	---	---
Ø130	160	---	---	---
Ø150	180	---	---	---
Ø160	190	---	---	---
Ø180	210	---	---	---
Ø200	230	---	---	---
Ø250	280	---	---	---
Ø300	---	---	---	---
Ø350	---	---	---	---
Ø400	---	---	---	---
Ø500	---	---	---	---