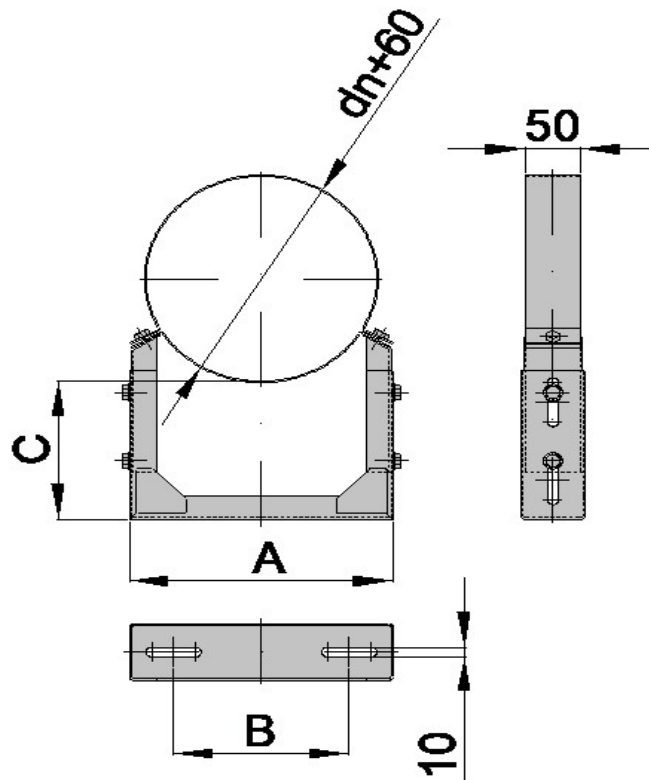


## WANDHALTER WHT 2



|      | TECHNISCHE DATEN |     |         |     |
|------|------------------|-----|---------|-----|
|      | A                | B   | C       |     |
| Ø80  | 180              | 100 | 120-200 | --- |
| Ø100 | 198              | 118 | 165-245 | --- |
| Ø113 | 208              | 128 | 125-171 | --- |
| Ø120 | 214              | 134 | 122-169 | --- |
| Ø130 | 222              | 142 | 121-168 | --- |
| Ø150 | 240              | 160 | 115-162 | --- |
| Ø160 | 248              | 168 | 114-161 | --- |
| Ø180 | 266              | 186 | 108-155 | --- |
| Ø200 | 283              | 203 | 103-150 | --- |
| Ø250 | 326              | 246 | 124-198 | --- |
| Ø300 | 370              | 290 | 111-184 | --- |
| Ø350 | 413              | 322 | 98-172  | --- |
| Ø400 | 456              | 376 | 156-229 | --- |
| Ø500 | 540              | 463 | 134-207 | --- |