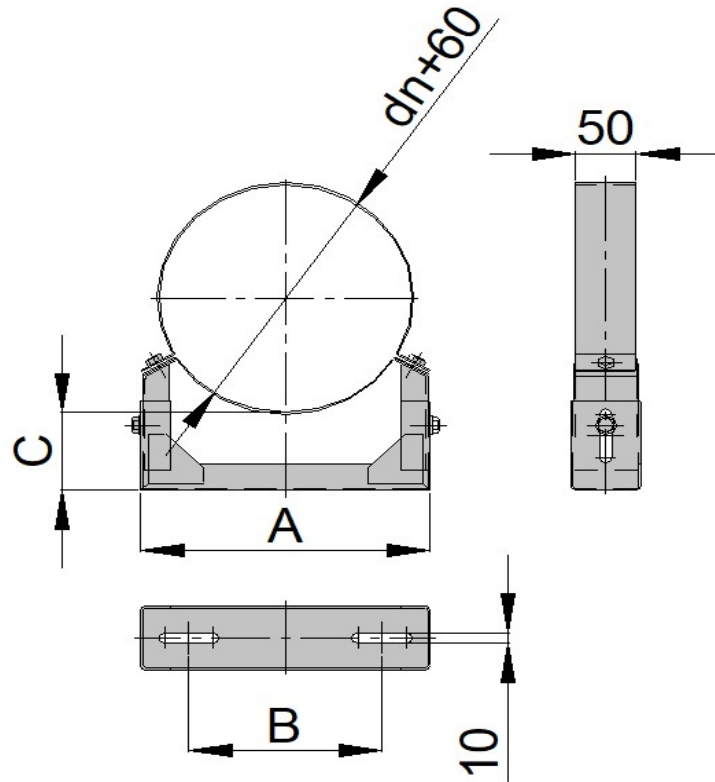


## WANDHALTER WHT 1



	TECHNISCHE DATEN			
	A	B	C	
Ø80	180	100	65-105	---
Ø100	198	118	65-106	---
Ø113	208	128	98-131	---
Ø120	214	134	96-129	---
Ø130	222	142	96-129	---
Ø150	240	160	88-122	---
Ø160	248	168	87-121	---
Ø180	266	186	82-115	---
Ø200	283	203	77-110	---
Ø250	326	246	64-98	---
Ø300	370	290	51-84	---
Ø350	413	322	65-112	---
Ø400	456	376	86-159	---
Ø500	540	463	64-137	---